



MASH TL-3 Compliant

Key features

- Excellent impact performance and stability
- MASH TL-3 dynamic deflection of 57 inches (1.46 meters)
- Reduced spalling and improved durability
- Straightforward coupling system

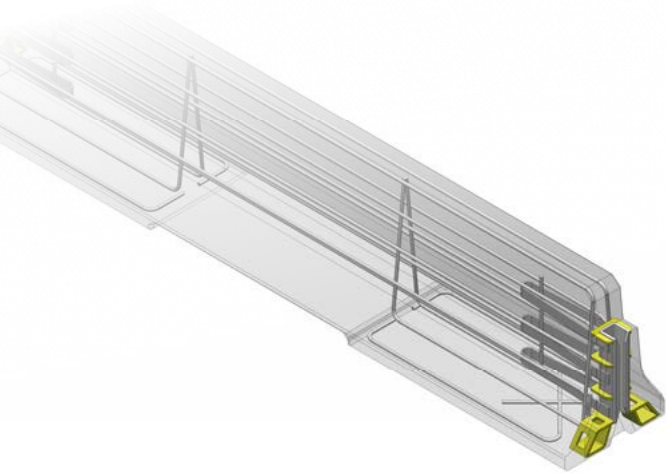
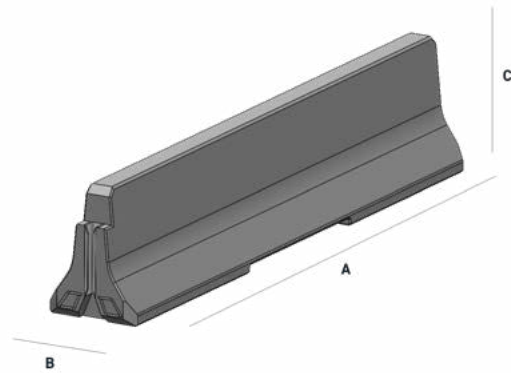
PATENT PENDING

Product Description

HP-Lock, the outcome of merging Albatross™ Technology with an existing I-lock barrier, is a MASH-compliant, high-performance, low-deflection portable barrier that can be manufactured using readily available molding equipment.

Specifications

	MASH TL-3
LENGTH (A)	13.1 ft (4.0 m)
WIDTH (B)	24.2 in (615 mm)
HEIGHT (C)	32.5 in (825 mm)



Albatross™ technology

The key to reducing spalling and deflection during a crash lies in the winged steel reinforcements. This innovative technology has the potential for broader application across various barrier connection types.

MASH tested

The HP-Lock has undergone successful MASH TL-3 testing to ensure maximum safety. These tests rigorously assess impact performance and stability, protecting drivers and passengers in the event of a crash.

[Watch the video at moovop.com](https://moovop.com)



Distributed by

